



LT55DSAPRO

5.5 Tonne Hydraulic Scissor Hoist



LOW PROFILE HYDRAULIC SCISSOR HOIST FOR SERVICE AND ALIGNMENT WORK.



Ideal for:

Dealerships and busy workshops that need a reliable, quiet hoist, with lower maintenance costs. Its low platforms of 240mm allow any car to drive on.

Features:

- › Stronger, compact base
- › A safety system based in a double circuit with a double cylinder which means lower maintenance
- › Automatic bleeding meaning no air supply is needed
- › Super silent pads making it quieter for the user
- › Auxiliary lift with extendable platforms
- › New adjustable locking system and new extra cylinder giving support to keep exact leveling for perfect alignment
- › Lowering speed control
- › Joint shafts with free maintenance self lubricating bushings
- › Homologated and certified product according to the European Machinery Directive 2006/42/CE and Harmonized standard EN 1493:2010



If you are not 100% satisfied with your equipment, Treadway Equipped will repair, replace or refund the equipment free of charge within the first 100 days.

LT55DSAPRO

5.5 Tonne Hydraulic Scissor Hoist



Features:

- › Stronger, compact base
- › A safety system based in a double circuit with a double cylinder which means lower maintenance
- › Automatic bleeding meaning no air supply is needed
- › Super silent pads making it quieter for the user
- › Auxiliary lift with extendable platforms
- › New adjustable locking system and new extra cylinder giving support to keep exact leveling for perfect alignment
- › Lowering speed control
- › Joint shafts with free maintenance self lubricating bushings
- › Homologated and certified product according to the European Machinery Directive 2006/42/CE and Harmonized standard EN 1493:2010

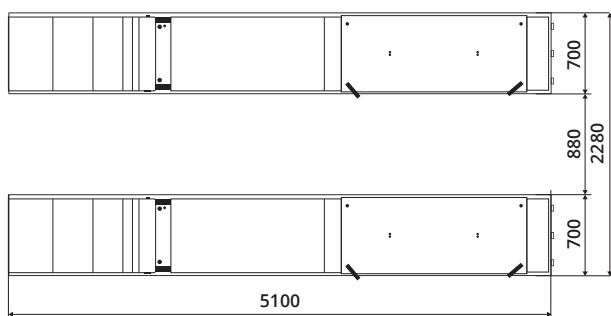
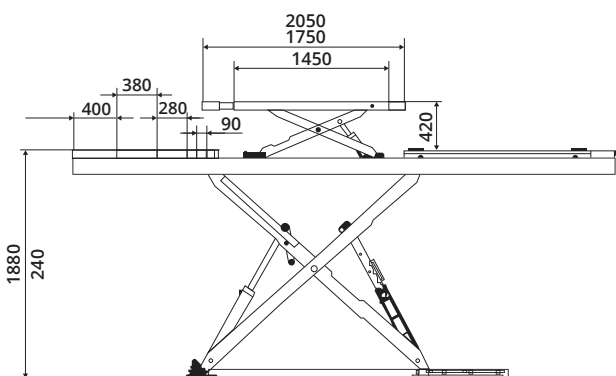
SPECIFICATIONS

MAIN LIFT

Cargo Capacity	5500 kg
Platform Width	700 mm
Platform Length	5100 mm
Distance between Platforms	880 mm
Lifting Height	1880 mm
Foundation Depth	240 mm
Motor	3 Phase 230-400V 50/60 Hz. 2.2 KW

FREE-WHEELS LIFT

Cargo Capacity	3500 Kg
Platform Length	1450 - 2050 mm
Platform Width	700 mm
Lifting Height	420 mm



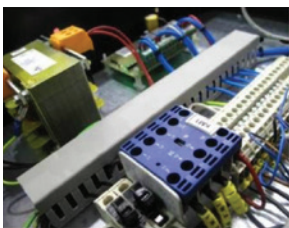
LT55DSAPRO

5.5 Tonne Hydraulic Scissor Hoist

Low Profile Hydraulic Scissor Hoist for service and alignment work.



Design & safety



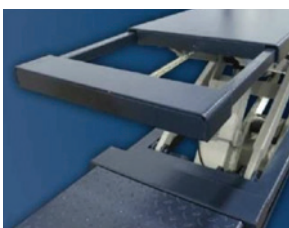
- › **Electric**
Electrical components CE of the leading brands



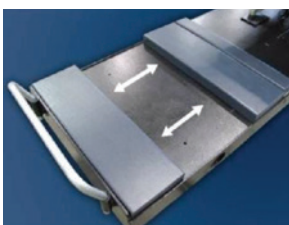
- › **Hydraulic**
4 Cylinders – hard-pressed, high quality chrome, anti-corrosion designed and functionally tested



- › **Design**
Self-lubricating bushings



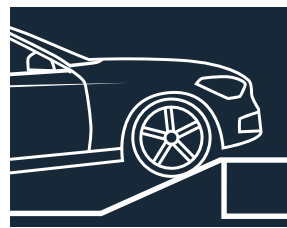
- › **Design**
Extra platform extensions
Free wheels lift



- › **Design**
Platforms with adjustable recesses for front turning plates



- › **Design**
Surface or in-ground installations



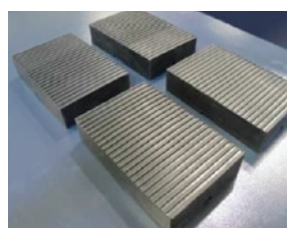
- › **Design**
Drive-on design, suitable for any vehicle



- › **Safety**
Acoustic warning against toe-trapping



- › **Electrical Safety**
Safety photocell



- › **Accessories**
Rubber pads included

Options



- › **Optional**
Platform lighting kit



- › **Optional**
Tools support, air & energy supply



- › **Optional**
Colour Customisation when purchased from the factory.



OUR PROMISE:

100

ONE HUNDRED DAYS
100% SATISFACTION

If you are not 100% satisfied with your equipment, Treadway Equipped will repair, replace or refund the equipment free of charge within the first 100 days.

0800 436 436
treadwayequipped.co.nz